



AUBO i16

Technical Specifications & Data Sheet

6 Axis
16kg Payload
967mm Reach

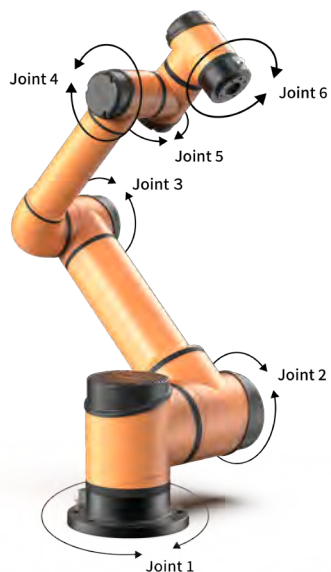
Your AUBO Distributor



Partners in Productivity

icrservices.com
(586) 582-1500





SPECIFICATIONS

Payload	16 kg
Reach	967.5 mm
Weight	38 kg
Mounting Base Footprint	Ø220 mm
Avg. Power Consumption	600 W
Peak Power Consumption	2000 W
Operating Temperature	0-50 °C
Humidity	90% Relative Humidity (No Condensation)

CONTROL BOX SPECIFICATIONS

Size (L x W x H)	390mm x 370mm x 265mm
Weight	15 kg
Robot Cable Length (Customizable)	5 m
Teach Pendant Cable Length	4 m
Power Supply Cable Length	5 m
Communication Protocols	Ethernet TCP/IP, ModBus-RTU/TCP, Profinet
I/O Ports	
Digital Input	16 (User) / 16 (Safety)
Digital Output	16 (User) / 16 (Safety)
Analog Input	4
Analog Output	4
I/O Power Supply	24V 3A
Power Supply Requirements	100-240VAC, 50-60Hz
Open Source Development Support	SDKs in C/C++/C#/Lua/Python, ROS, Plug-in Support

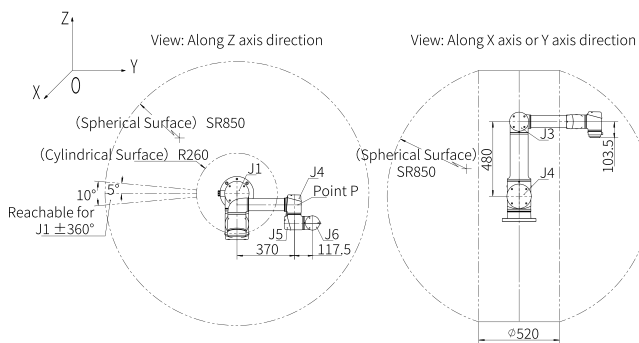
MOVEMENT

Repeatability (ISO 9283)	±0.03 mm	
Tool Velocity	≤3.0 m/s	
Axis Movement	Working Range	Maximum Speed
J1 Base	±360°	178°/s
J2 Shoulder	±360°	178°/s
J3 Elbow	±360°	267°/s
J4 Wrist	±360°	178°/s
J5 Wrist	±360°	178°/s
J6 Wrist	±360°	178°/s

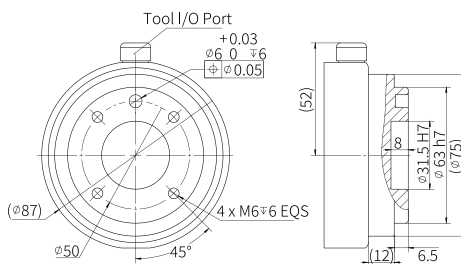
FEATURES

Mounting Orientation	Any Orientation	
IP Classification	IP 54	
ISO 1644-1 Clean Room Level	Class 5	
Tool I/O Ports		
Digital Input	4 (Customizable)	
Digital Output	4 (Customizable)	
Analog Input	2	
Analog Output	-	
I/O Power Supply		
Output Voltage	0V/12V/24V	
Output Current	0.8A	

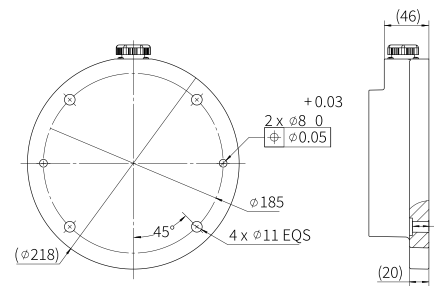
The AUBO i16 is meticulously designed to handle heavy workloads with exceptional precision and speed. With its 16kg payload capacity it provides the strength needed to tackle demanding tasks. The i16's ability to pick up multiple objects simultaneously significantly reduces production time, enhancing efficiency and productivity. A maximum reach of 967.5mm offers excellent flexibility and adaptability, enabling it to maneuver efficiently within various workspaces.



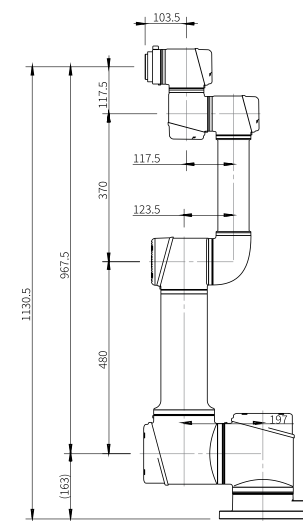
WORKSPACE DIMENSIONS



END FLANGE DIMENSIONS



ROBOT BASE TOP VIEW



PRODUCT DIMENSIONS